

EG25C PLUS Video Tripod System

E-IMAGE heavy duty carbon fiber tripod with GH25 head supports cameras and accessories weighing up to 28kg (61.7lbs). It includes a GH25 fluid head, a ECT100L carbon fiber legs, and a middle spreader. The head and legs feature a 100mm ball/bowl, which provides a wide support platform. The tripod extends to a height of 168cm and collapses down as low as 92cm. A kit bag is included.



Specifications:

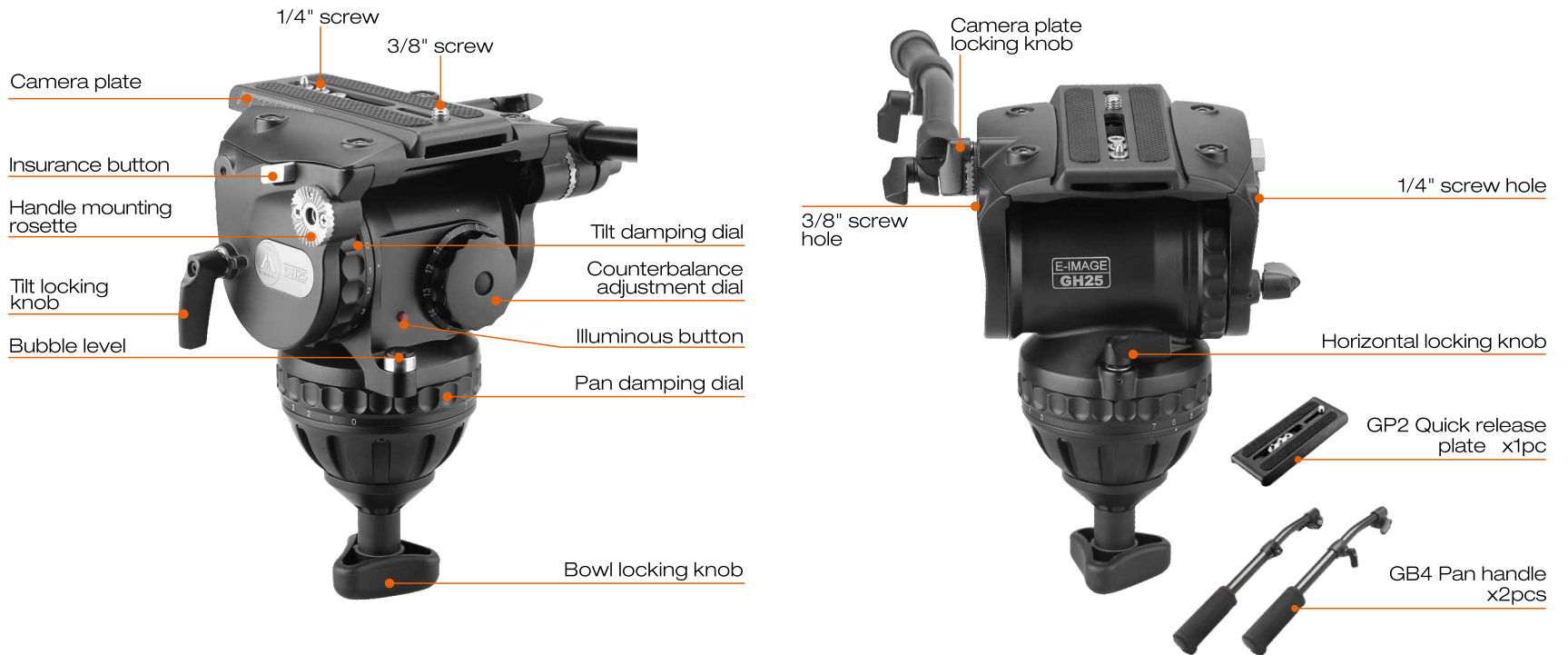
Payload	28.0kg / 61.7lbs
Height range	92-168cm / 36.2-66.1in
Transport length	109cm / 42.9in
Net weight	12.3kg / 27.1lbs
Bowl size	100mm

What's included:

Head	GH25
Tripod	ECT100L
Packing	Head (Box packing), Tripod (SC-4 Carry bag)

GH25 100mm Fluid Head

The GH25 fluid head features 15 steps (1-15) counterbalance system with a 70mm (2.8in) sliding plate for perfect balance, and 8 steps (0-7) drag in both pan and tilt for smooth movement. A built-in illuminated bubble level to assist balancing in darkness and extendable dual panhandles are included.



Features



0-7 grades of pan & tilt drag for smooth movement.



1-15 grades of counterbalance for perfect balance.



A built-in illuminated bubble level to assist balancing in darkness (automatic delay off).



GP2 quick release plate with an extra 145mm (5.7in) sliding range.



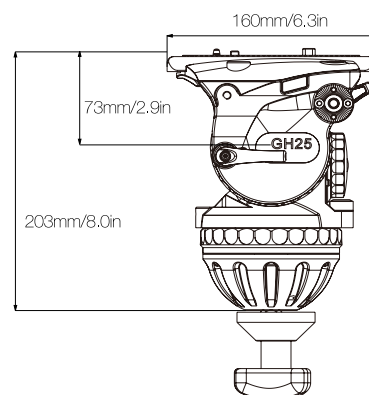
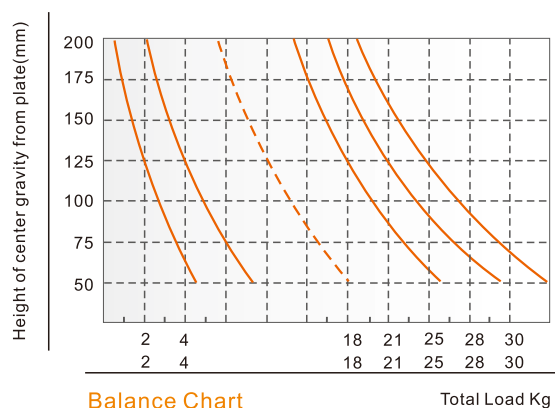
Additional 1/4"-20 & 3/8"-16 screw hole for articulating accessories.

Specifications

	Payload	3.0-28.0kg / 6.6-61.7lbs
	Counterbalance	1-15
	Grades of pan drag	0-7
	Grades of tilt drag	0-7

	Tilt range	-70°~+90°
	Temperature range	-40°C~+80°C
	Net weight	4.2kg / 9.3lbs
	Bowl size	100mm

Counterbalance Graph



ECT100L 100mm Video Tripod

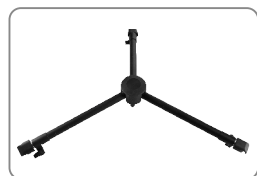
The E-IMAGE ECT100L heavy duty tripod is a high capacity, ultra-stable support paired with a leveling 100mm base. With a load capacity of 220lbs, quick and secure flip-clamping system with safety locks. the tripod can support professional DSLR's, long telephoto lenses and professional camcorders. The tripod is made of 12X layer carbon fiber, very sturdy.



100mm bowl size.



High quality carbon fiber tube.



Adjustable middle spreader adding extra stability.

100 kg
Payload



Ergonomic hand locking knob.



Spike foot & big rubber are both available.

Specifications:

Payload	100.0kg / 220.0lbs
Height range	75.5-151.5cm / 29.7-59.6in
Transport length	92.5cm / 36.4in
Net weight	8.1kg / 17.8lbs
Bowl size	100mm
Sections	2
Material	Carbon fiber



SC-4 Carry bag

Full padded portable carrying bag providing good protection during movement.

Recommend accessories



GS03 Ground spreader



EI-7005 Dolly



EI-7005B Dolly